



## IVT.12.S500 Inverted Biological Microscope

**Same Objective for Both Bright Field & Phase  
Contrast Observation**

**Not Necessary to Change Different Objective**

- Same Objective for Both Bright Field & Phase Contrast Observation
- Brand-new development for life science research

- Both light ports for digital camera and SLR photography, available for observing with digital camera and SLR photography at the same time



IVT.12.S500 Inverted Biological Microscope



Convertible handle for DSLR Camera  
Coaxial coarse and fine focusing knobs  
Tension adjustment



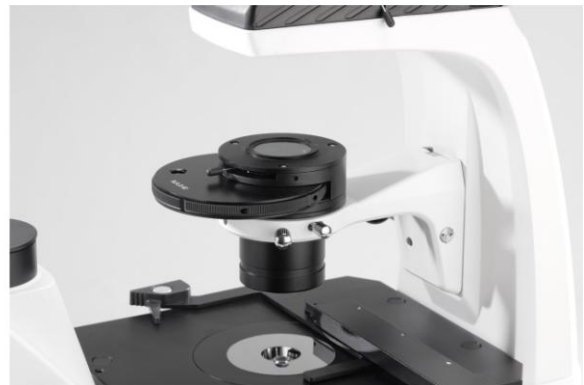
Special light port for SLR digital camera, 7°  
inclined up to be more convenient to observe  
the image of the SLR camera



IVT.12.S500 Inverted Fluorescence Microscope

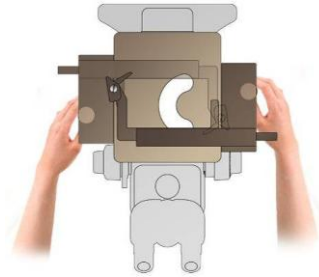


12V/50W Kohler illumination makes the field more even and brighter.

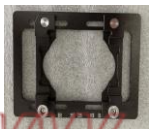


4-hole rotating disc phase contrast condenser for standard to change bright field and phase contrast fast

### Culture Dish Holder



Knob can be changed by left or right



Universal Holder



Glass Holder

[www.ningbonmicroscope.com](http://www.ningbonmicroscope.com)

### Objective Parameter List (Cover-glass thickness 1.1mm)

	Objectives	N.A.	Working distance(mm)
LWD Infinity Plan Objectives	L Plan FL 4X	0.11	12.1
	L Plan FL 10X	0.25	10.3
	L Plan FL 20X	0.45	5.8
	L Plan FL 40X	0.65	5.1
LWD Infinity Plan Phase Contrast Objectives	L Plan FL PHP 4X (Both for Bright Field & Phase Contrast)	0.10	9.2
	L Plan FL PHP 10X (Both for Bright Field & Phase Contrast)	0.25	10.3
	L Plan FL PHP 20X (Both for Bright Field & Phase Contrast)	0.45	5.8
	L Plan FL PHP 40X (Both for Bright Field & Phase Contrast)	0.65	5.1

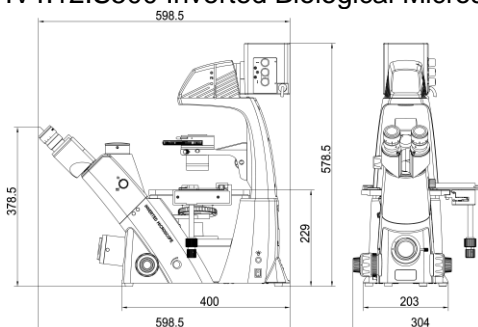


LWD Infinity Plan Objectives

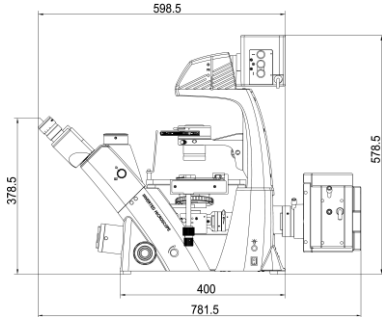


LWD Infinity Plan Phase Contrast Objectives

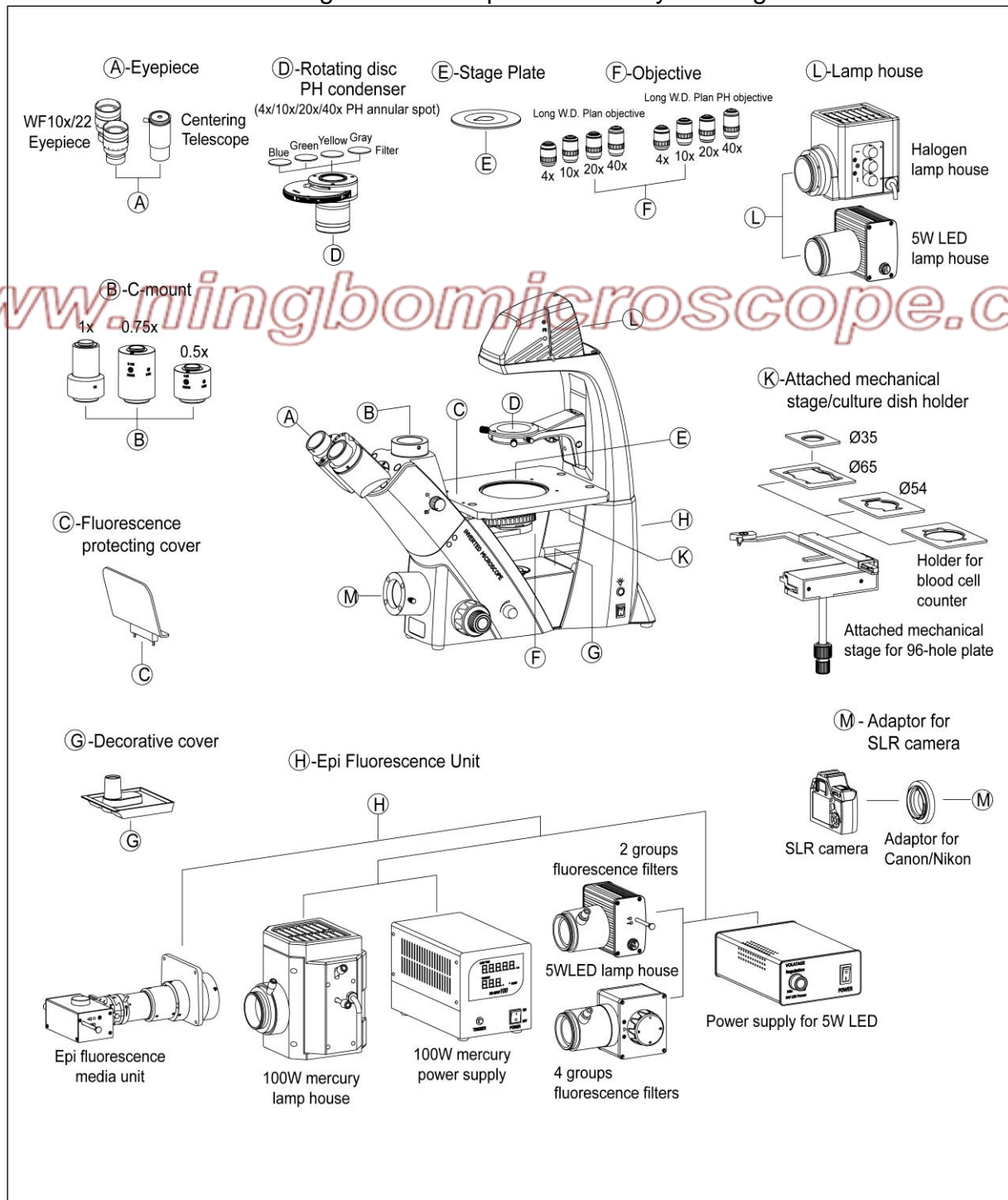
### IVT.12.S500 Inverted Biological Microscope Size(mm)



### IVT.12.S500 Inverted Fluorescence Microscope Size(mm)



### IVT.12.S500 Inverted Biological Microscope General Layout Diagram



## IVT.12.S500 Inverted Biological Microscope Outfits

Item	Specification	Outfits
Eyepiece	WF10X / 22mm (adjustable)	● ●
	Centering telescope	●
LWD Infinity Plan Objectives	L Plan FL 4X / 0.11      W.D.=12.1mm	●
	L Plan FL 10X / 0.25      W.D.=10.3mm	○
	L Plan FL 20X / 0.45      W.D.=5.8mm	○
	L Plan FL 40X / 0.65      W.D.=5.1mm	○
LWD Infinity Plan Phase Contrast Objectives	L Plan FL PHP 4X / 0.10 (Both for Bright Field & Phase Contrast)      W.D.=9.2mm	○
	L Plan FL PHP 10X / 0.25 (Both for Bright Field & Phase Contrast)      W.D.=10.3mm	●
	L Plan FL PHP 20X / 0.45 (Both for Bright Field & Phase Contrast)      W.D.=5.8mm	●
	L Plan FL PHP 40X / 0.65 (Both for Bright Field & Phase Contrast)      W.D.=5.1mm	●
Annular Spot	10×/20×/40× 4×	● ●
Seidentopf Trinocular Head	Inclined 45° , interpupillary distance: 48-76mm Light distribution (both): 100: 0 (100% for eyepiece) 80:20 (80% for trinocular head, and 20% for eyepiece)	●
Seidentopf Trinocular Head	Inclined 45° , interpupillary distance: 48-76mm Light distribution (both): 100: 0 and 0:100 (100% for eyepiece or 100% for trinocular head)	○
Adaptor for Digital Photography	100% light for Photography Port (Adaptor for CANON or NIKON SLR Digital Photography Camera)	●
Nosepiece	Quintuple	●
Mechanical Stage	Stage size: X×Y 210×241mm, Round slide size: φ110mm, Attached mechanical stage(available for 96 holes plate, moving range X×Y: 128×80mm.)	●
	65mm	○
Culture Dish Holder	54mm	●
	35mm	○
	blood cell counter	○
	Glass Holder	○
	Universal Holder	○
Condenser	4-hole rotating disc phase contrast condenser N.A.0.4, W.D.45mm, It can be up-down adjusting	●
Koehler Illumination	12V/50W Halogen, input voltage: 100V~240V	●
	5WLED, input voltage: 100V~240V	○
Filter	Blue	●
	Green,	●
	Amber / Grey	○
C-mount	1 X /0.5X /0.75X C-Mount (focus adjustable)	○

Epi fluorescence Illumination	Epi fluorescence media unit , field diaphragm, center adjustable.	○
	100W mercury lamp ,5WLED(input voltage:100V~240V)	○
	B, G, V, UV fluorescence filters can be chosen	○
Infinity Fluorescence objective	L Plan Fluor 10X/0.3 W.D.=10mm	○
	L Plan Fluor 20X/0.45 W.D.=6.6mm	○
	L Plan Fluor 40X/0.6 W.D.=3.5mm	○

Note: "●"In Table Is Standard outfits, "○" Is Optional Accessories.

Packing Size: 660mm×590mm×325mm

Gross Weight: 18 kgs

Net Weight: 13.5 kgs